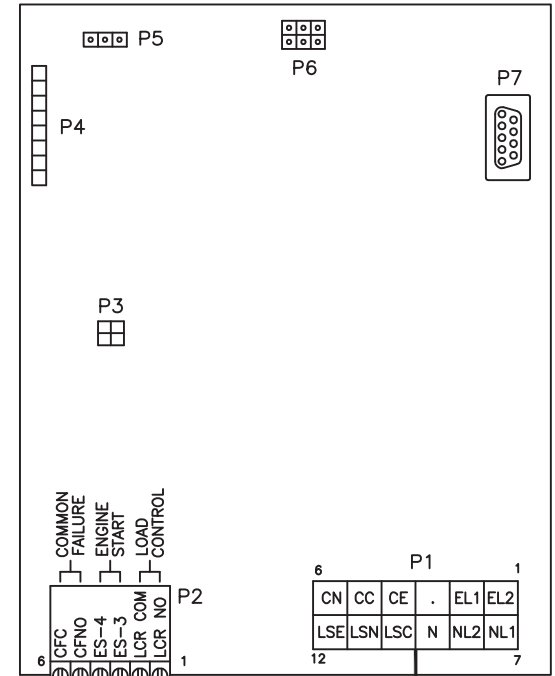


REV	DATE	REVISION	BY	APP
D	2-18-05	(A & B-3,-4) LOAD CONNECTIONS REVISED TS-EL1 TO LC-L1 (200A) WAS TS-L1 TO LC-L2 (200A); TS-EL2 TO LC-L2 (200A) WAS TS-EL2 TO LC-L1 (200A) [74426]	DFS	
E	3-31-05	(C-8) P2: PIN 1 & 6 DESIGNATORS ADDED, "COMMON FAILURE" TERMINAL FUNCTION MOVED FROM PINS 1 & 2 TO PINS 5 & 6, "LOAD CONTROL" TERMINAL FUNCTION MOVED FROM PINS 5 & 6 TO PINS 1 & 2, TERMINAL DESCRIPTIONS REVISED [74777]	DFS	

LEGEND

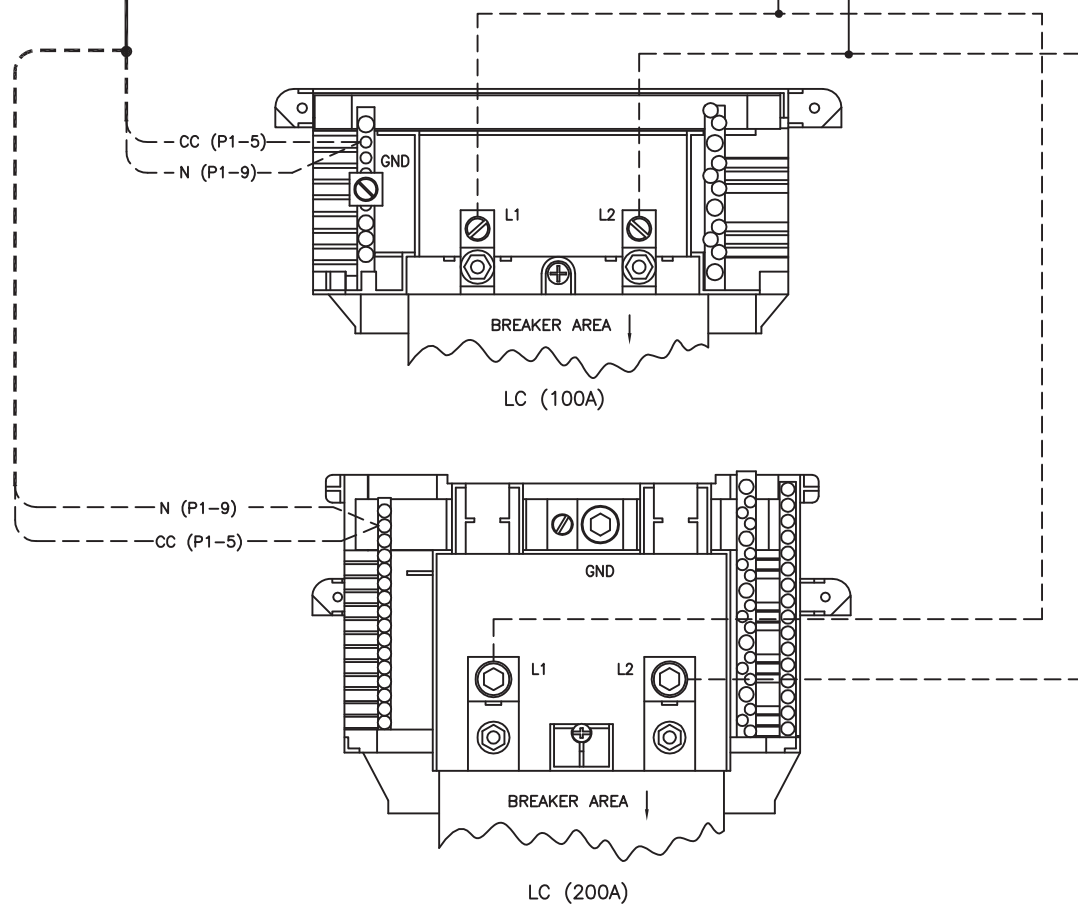
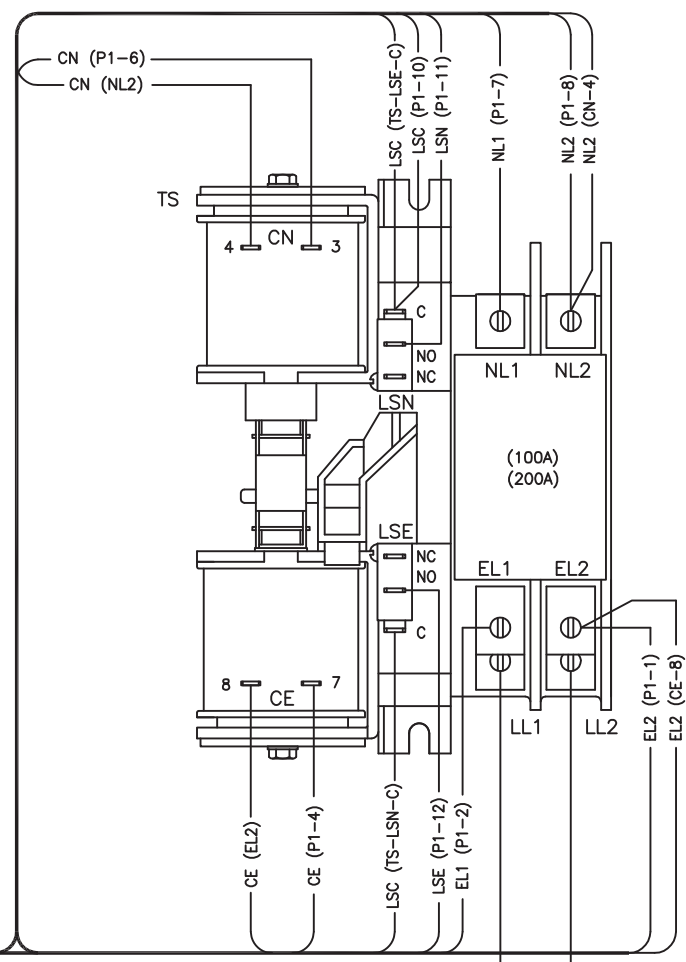
LC - LOAD CENTER
P(#)- CONNECTOR
TS - TRANSFER SWITCH/CONTACTOR

MPAC 500 MAIN LOGIC BOARD



P1 CONNECTIONS

- PIN #1 EL2 (TS-EL2)
- 2 EL1 (TS-EL1)
- 3 N/C
- 4 CE (TS-CE-7)
- 5 CC (LC-GND)
- 6 CN (TS-CN-3)
- 7 NL1 (TS-NL1)
- 8 NL2 (TS-NL2)
- 9 N (LC-GND)
- 10 LSC (TS-LSN-C)
- 11 LSN (TS-LSN-NO)
- 12 LSE (TS-LSE-NO)



FOR SCHEMATIC SEE GM37649

MPAC 500
OPEN TRANSITION
100A ATS
200A ATS
W/ LOAD CENTER

<small>UNLESS OTHERWISE SPECIFIED - 1) DIMENSIONS ARE IN INCHES 2) TOLERANCES ARE: FRACTIONS ± .010 ANGLES ± 1/2° DECIMALS ± .030 SURFACE FINISH X ± .080 MAX. FRACTIONS ±</small>		KOHLER CO. POWER SYSTEMS, KOHLER, WI 53044 U.S.A. THIS DRAWING, IN DESIGN AND DETAIL, IS KOHLER CO. PROPERTY AND MUST NOT BE USED EXCEPT IN CONNECTION WITH KOHLER CO. WORK. ALL RIGHTS OF DESIGN OR INVENTION ARE RESERVED.	
APPROVALS DRAWN DFS 7-14-04 CHECKED JS 7-15-04 APPROVED JS 7-15-04		TITLE DIAGRAM, WIRING	
SCALE /// PLOTTED		CAD NO. GM37650.DWG DES. NO. GM37650 SHEET 1-1 DWG. NO. GM37650	